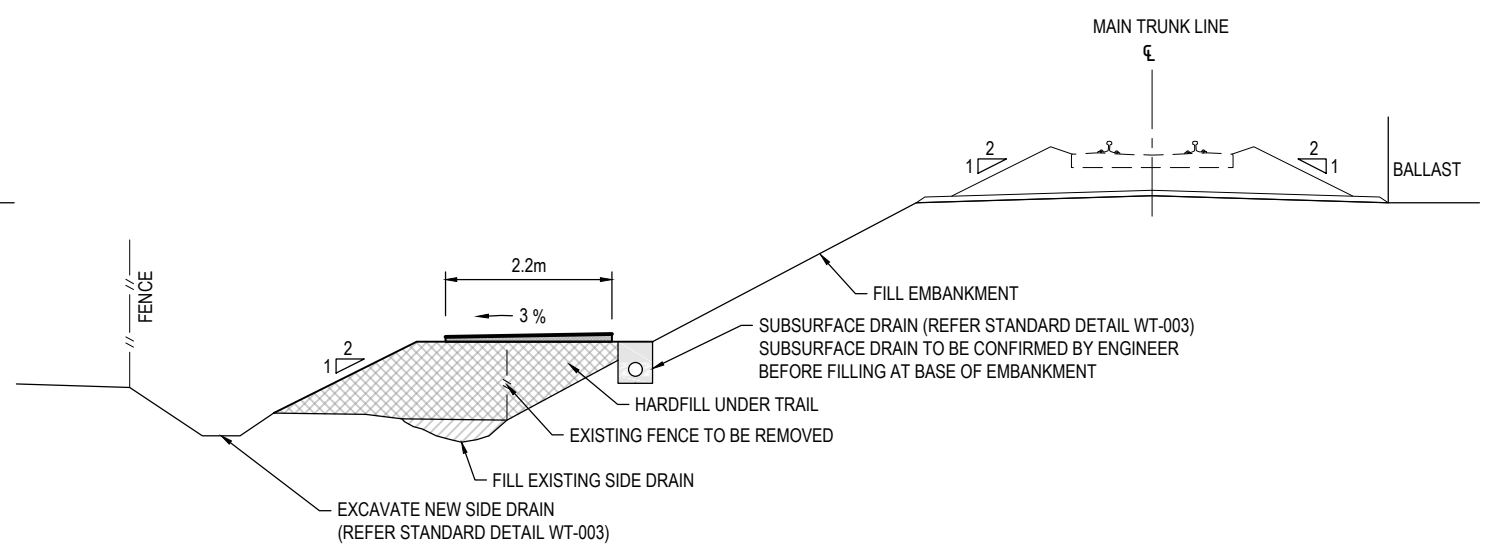
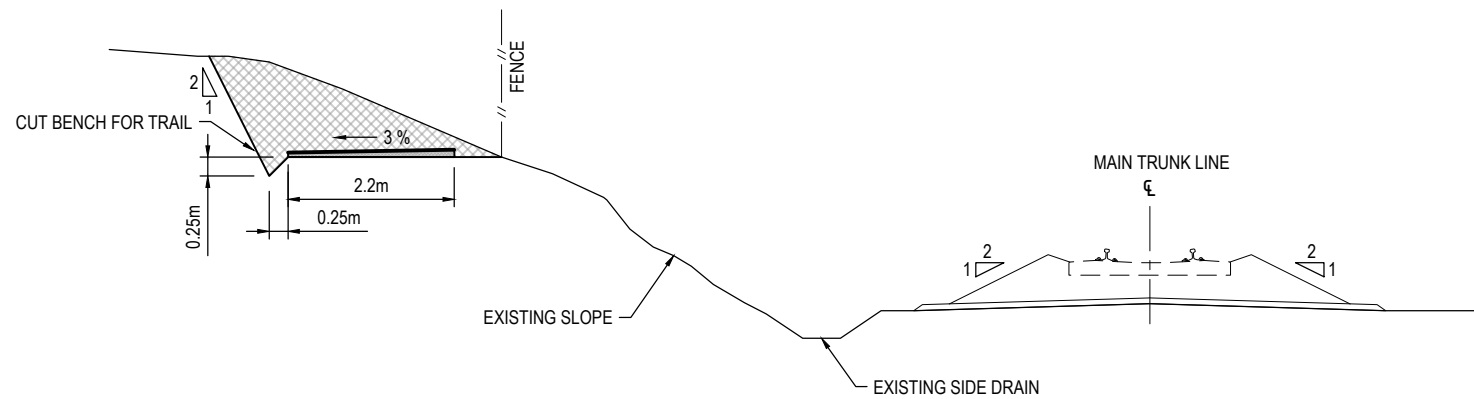


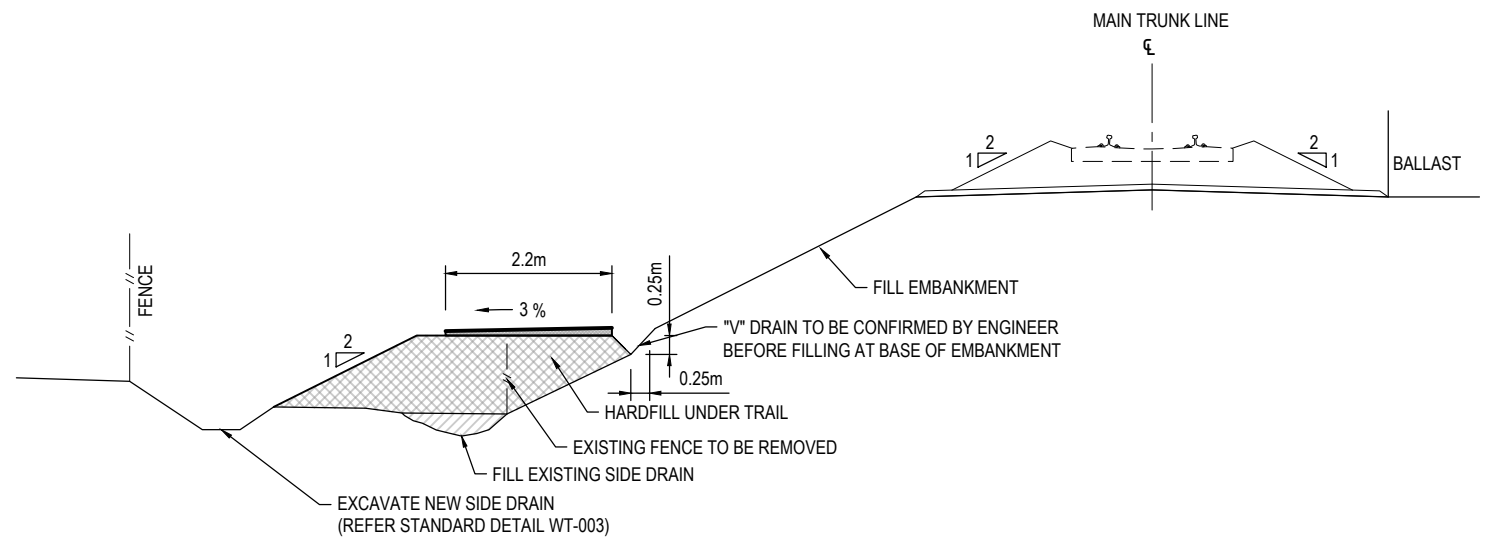
SECTION A
SIDE DRAIN REALIGNMENT
1:100



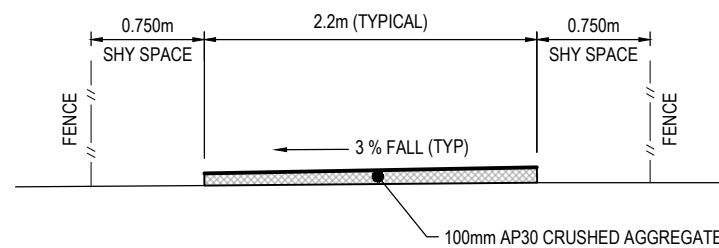
SECTION B
TRAIL AT BASE OF RAILWAY EMBANKMENT
1:100



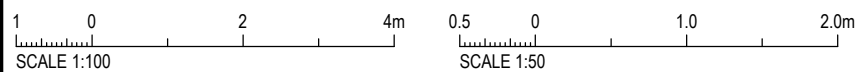
SECTION C
TRAIL ABOVE RAILWAY
1:100



SECTION B.1
TRAIL AT BASE OF RAILWAY EMBANKMENT
1:100



SECTION D
TYPICAL SECTION BESIDE RAIL
1:50



REV	DATE	COMMENT	BY	APP
A	-	ISSUED FOR INFORMATION	LK	VN



DRAWN	L.KIDWELL	DATE	-
SURVEYED		DATE	
APPROVED	V.NALDER	DATE	
SCALE:	AS SHOWN		A3

CLIENT:	MARLBOROUGH KAIKOURA TRAIL TRUST
---------	----------------------------------

PROJECT:	KIWIRAIL - TYPICAL SECTIONS
DRAWING NUMBER:	WT-002
	A